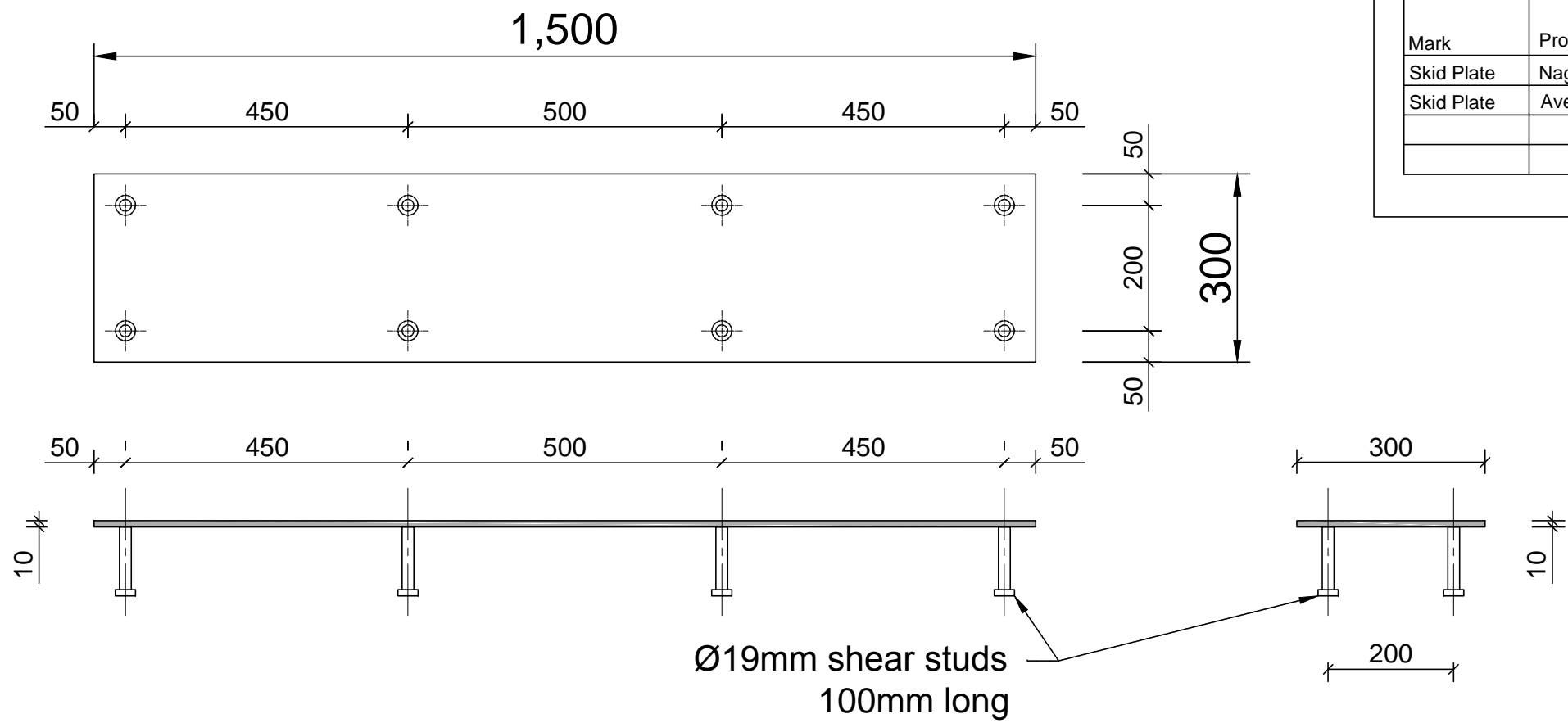


# OPTION 1 Shear Studs

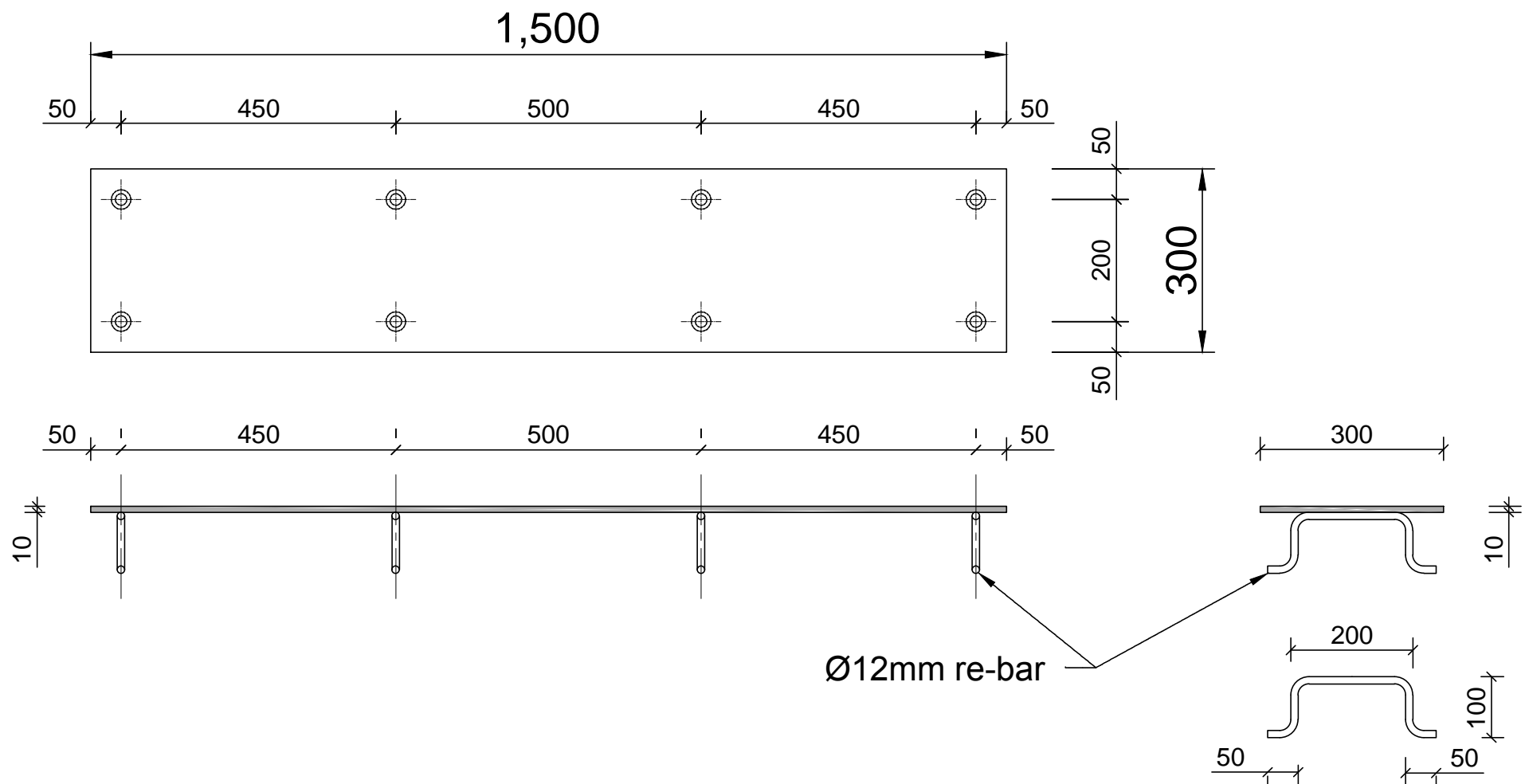


Member List							
Mark	Project	Qty No.	Length mm	Width mm	thickness mm	1No. kg	Total Weight kg
Skid Plate	Nagambie	8	1,500	300	10	40	317
Skid Plate	Avenel	8	1,500	300	10	40	317
		<b>Total</b>	<b>16</b>	<b>24,000</b>			<b>640</b>

Notes:  
All steel to be Hot Dip Galvanised  
All dimension in millimetres "mm"

16No. Required (Total), either Option 1 or Option 2

# OPTION 2 Re-bar



**CIVILVIC Pty Ltd**  
 ABN 72 631 227 408  
 web: www.civilvic.com.au  
 mob: 0412 574 369  
 Commercial Builder  
 CB-L 22108



Client	<b>Strahbogie Shire</b>
Project Name	Nagambie & Avenel Transfer Stations
Project Address	854 McDonalds Rd Nagambie
Drawing Name	Cast-In Plate for Ground Slab
Date:	06 Aug 2023
Drawn:	John Dordevic
Status:	Issued for Approval
Scale:	Not to Scale
Paper Size:	A3
Drawing No.	Revision
<b>CP1</b>	<b>0</b>