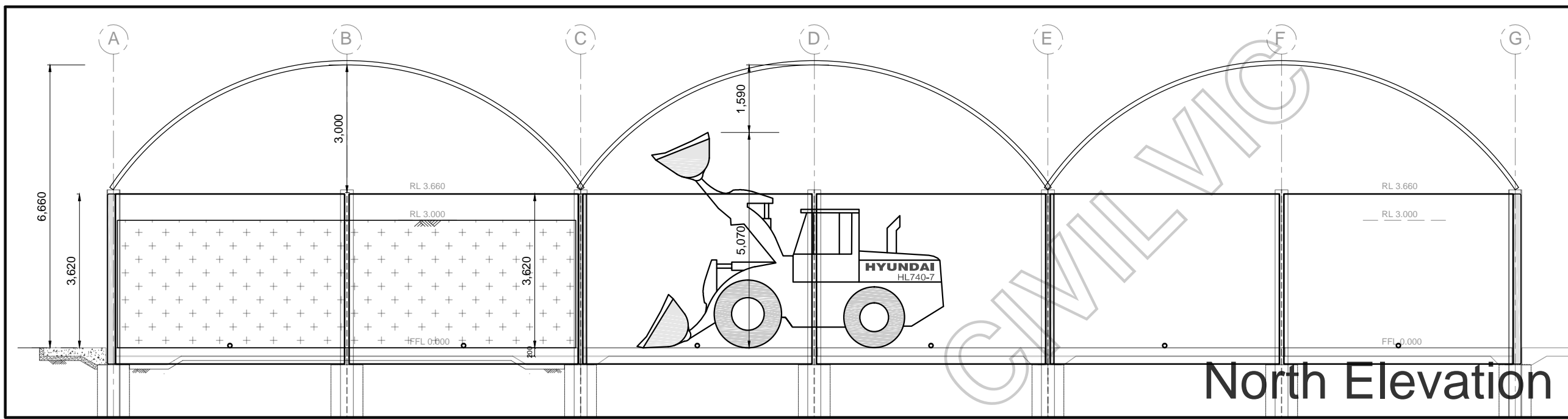


Plan



North Elevation



CIVILVIC Pty Ltd
 ABN 72 631 227 408
 email: john@civilvic.com.au
 web: www.civilvic.com.au
 mob: 0412 574 369

Commercial Builder
 CB-L 22108



Client
Southern Grampians Shire Council

Project Name
HAMILTON Transfer Station Bunkers

Project Address
**68 Elijah Street
 Hamilton, Vic, 3300**

Drawing Name
BUNKERS SET-OUT PLAN

Date: 30/07/2024
 Drawn: John Dordevic
 Status: Issued for Approval
 Scale: N.T.S.
 Paper Size: A3

Drawing No. Revision
HAM 1 1