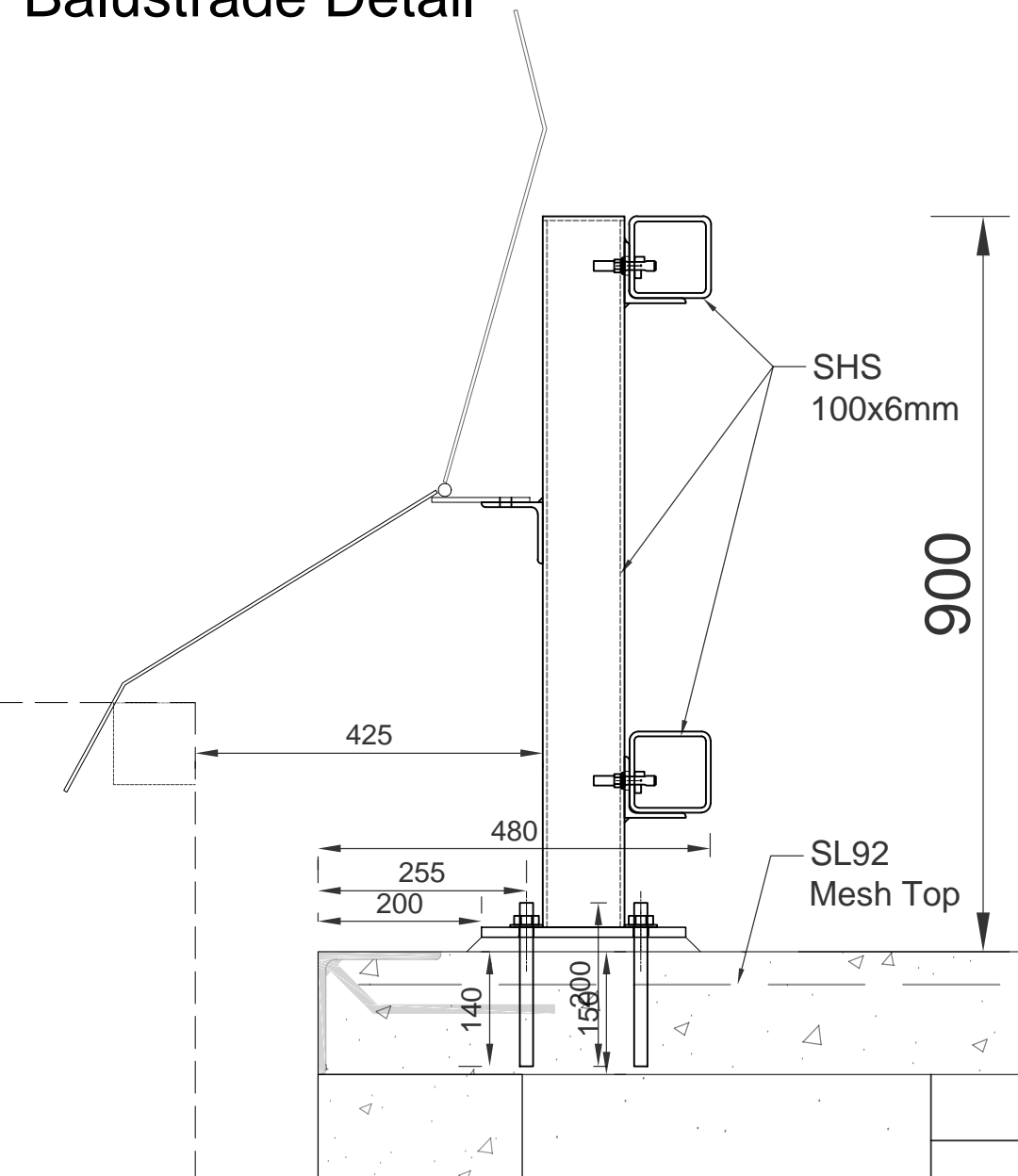
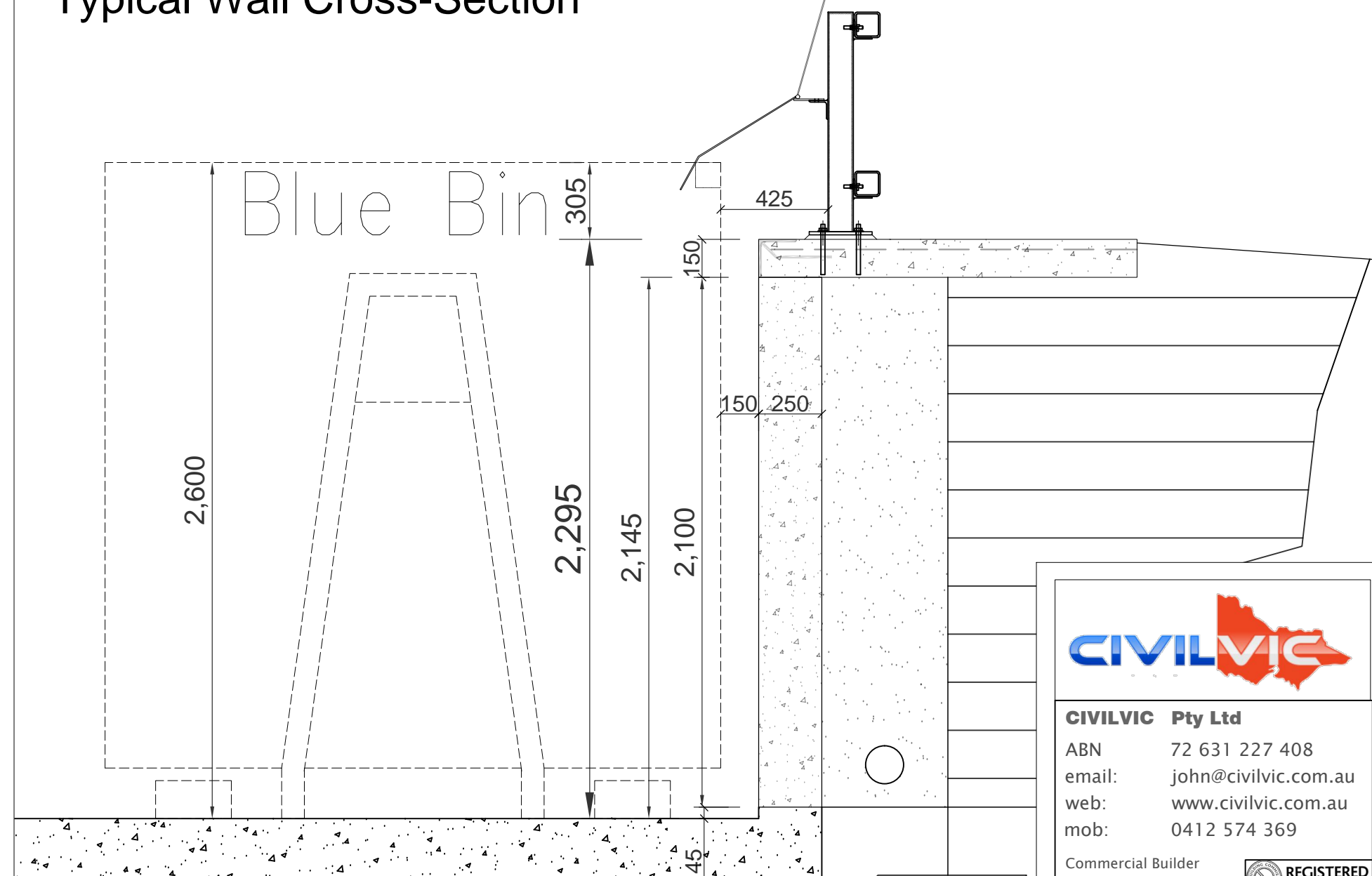


# Balustrade Detail



# Typical Wall Cross-Section

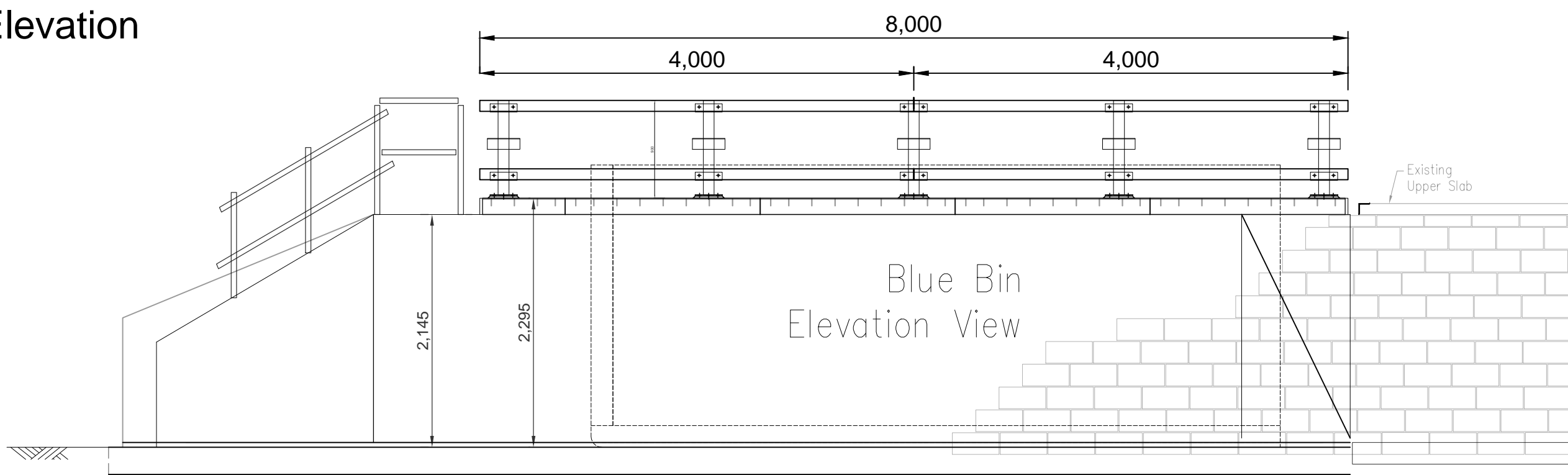


**CIVILVIC Pty Ltd**  
 ABN 72 631 227 408  
 email: john@civilvic.com.au  
 web: www.civilvic.com.au  
 mob: 0412 574 369

Commercial Builder  
 CB-L 22108



# Elevation



Client  
 Southern Grampians  
 Shire Council

Project Name  
 DUNKELD  
 Transfer Station

Project Address  
 7 Bellicourt Rd  
 Dunkeld, Vic, 3294

Drawing Name  
 Elevation 1, Balustrade &  
 Bin Flap Detail

Date: 14/01/2024

Drawn: John Dordevic

Status: Issued for Approval

Scale: As Shown

Paper Size: A3

Drawing No. Revision

**D3 4**