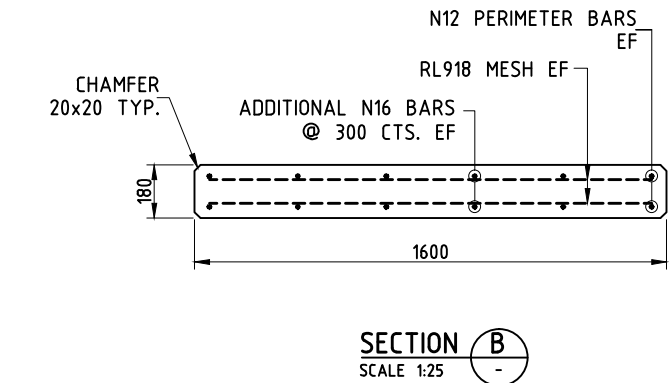
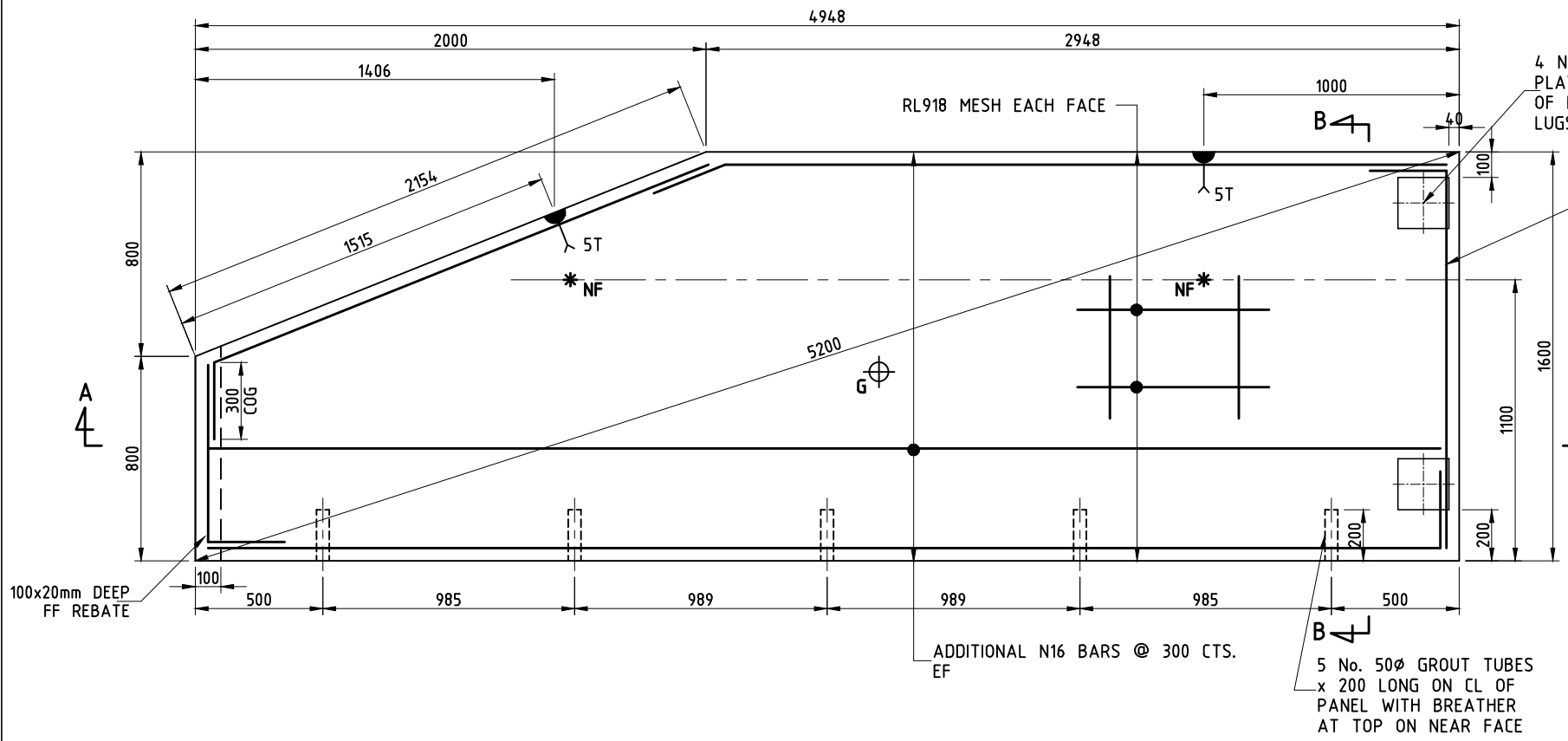
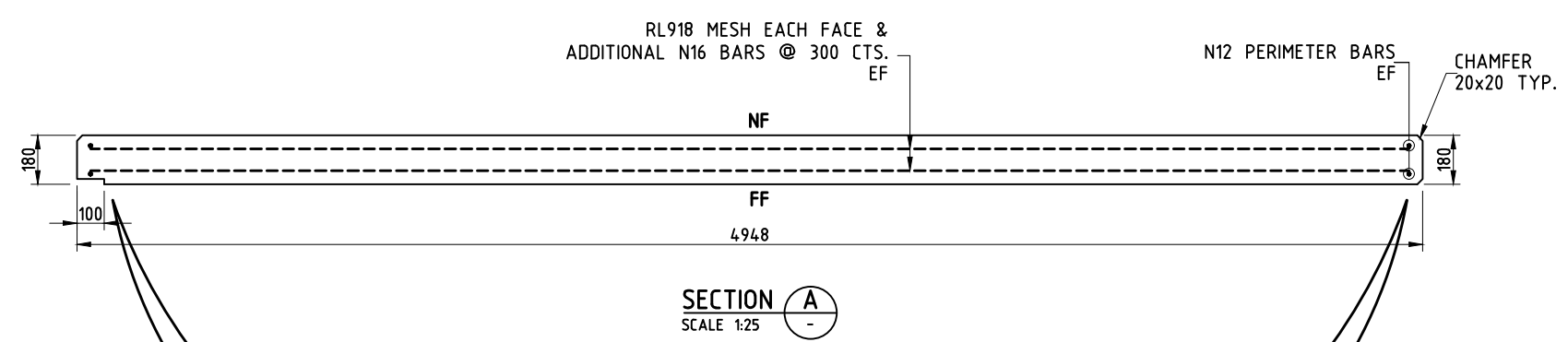


ISSUED FOR APPROVAL

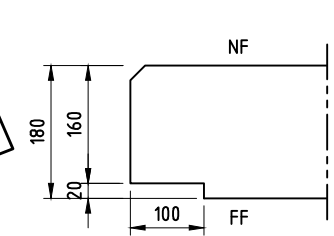
THICKNESS	180 mm
NF	FLOAT
FF	TABLE
VOLUME	1.28 m ³
GROSS AREA	7.1 m ²
NETT AREA	7.1 m ²
MASS	3072 kg
COG X	2677 mm
COG Y	740 mm
-	-
GRADE AT 28 DAYS	N40
GRADE AT DELIVERY	N20
GRADE AT LIFTING	N10
CONCRETE	-
MIX	-
EXT COVER	30
INT COVER	30
EDGE CHAMFER	20
-	-
DOWEL BARS	-
5No. R20	250 LONG



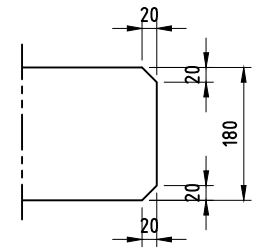
SECTION B
SCALE 1:25



SECTION A
SCALE 1:25



REBATE DETAIL
SCALE 1:10



TYPICAL EDGE DETAIL
SCALE 1:10

NOTES:
- COG PERIMETER BARS 300
* M20 PROPPING FERRULE

ID ID TAG EXP EDGE
QUALITY ASSURANCE

CONC	SETOUT	REO

ELEVATION 4
VIEW LOOKING WEST

PROJECT -



DATE	DATE	BY
-	-	-
JOB NO	PANEL NO	REV
-	P3	0